



## PM-FT460S

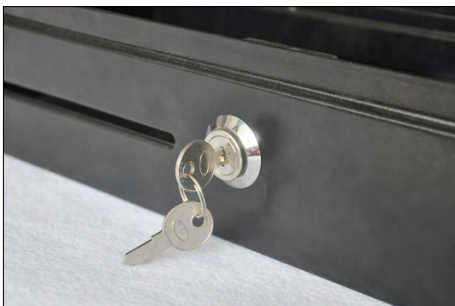
Is the standard flip top cash drawer, which is very popular in compact retail environment, various interfaces available for POS terminal.



Stainless Top



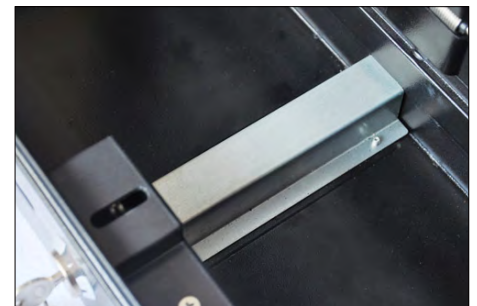
Unit with Lockable Tray Lid



Decorated Lock



Removable Interface



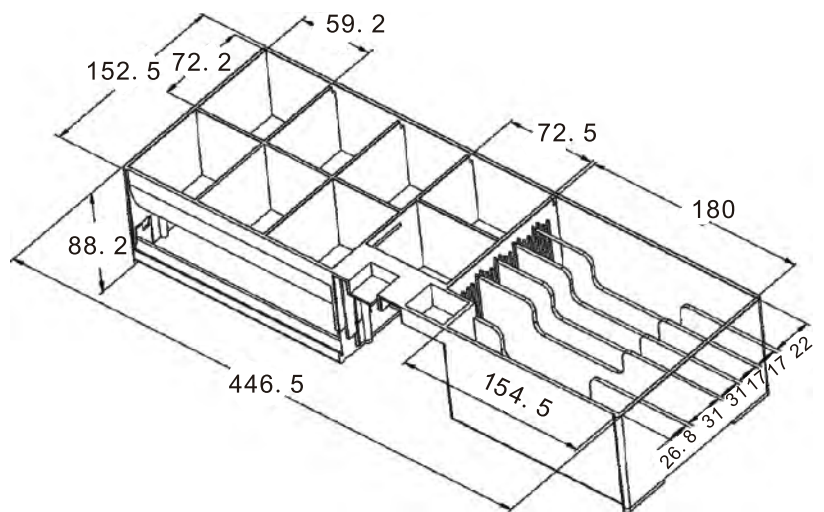
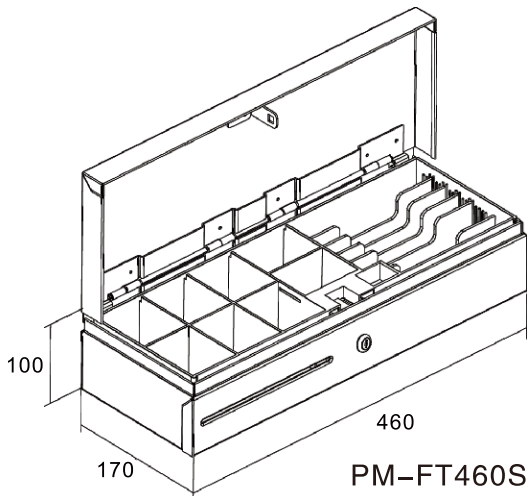
Cable Cover

# PM-FT460S Specifications

<b>MODEL NUMBER</b>	PM-FT460S
<b>PHYSICAL</b>	
<b>Dimension</b>	460 (W)x170 (D)x100 (H)mm
<b>Construction</b>	Thick gauge cold rolled steel & SECC
<b>Finish</b>	Textured hybrid powder coat
<b>Color</b>	Black, Beige and Custom type
<b>CASH TRAY (INSERT)</b>	
<b>Construction</b>	Shatter-resistant plastic
<b>Currency Layout</b>	6-Bill, 8-Coin Slots
<b>Media Slots</b>	1
<b>OPERATION</b>	
<b>Lock</b>	2-Position lock: locked open/ closed, manual open, electronically driven
<b>Interface</b>	RJ11, RJ12, USB, RS232, DC $\Phi$ 2.5 /3.5 Jack, custom type
<b>Lifecycle</b>	MTBF 1,000,000 times +
<b>Micro Switch</b>	Cash Drawer Status Micro Switch

OPTION	ACCESSORIES	
	Part Number	Description
Stainless Steel Front		
Cash tray with different currency layout	Tray-460FT	Cash Tray
Different color	Cover-460FT	Lockable Cover for Tray-460FT
Different interfaces		

Packing Details			
Models	Net Weight(kg)	Gross Weight(kg)	Carton Size(cm)
PM-FT460S	5	5.5	51.0 x 22.0 x 14.0



Specifications are subjected to change without notice.

## SurfTeK Innovation Sdn Bhd

97-2, Jalan Radin Bagus  
Bandar Baru Sri Petaling,  
57000 Kuala Lumpur  
Malaysia

Tel: +603-9058 2223  
Fax: +603-9059 5088

